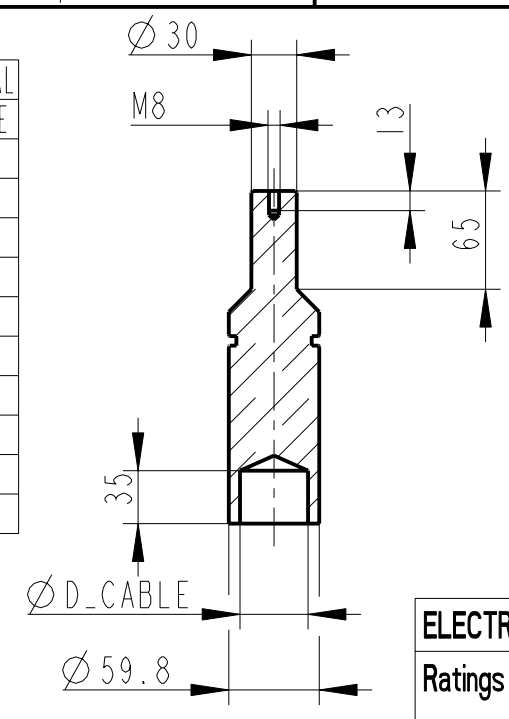


Rev	Ind	Revision	Appd	Date
1		Redrawn	FS	00 27

CATALOGUE No	TERMINAL
KATALOG Nr	D_CABLE
LF170084-A	5.0
LF170084-B	11.0
LF170084-C	13.0
LF170084-D	15.0
LF170084-E	18.0
LF170084-F	30.0
LF170084-G	42.0
LF170084-H	45.0
LF170084-I	50.0
LF170084-J	54.0



ELECTRICAL DATA, according to IEC 137		
Ratings	Rated voltage	170 kV
	Max phase to earth voltage, temporary	170 kV
	Max current with Cu-conductor	2000 A
	Max current with stranded cable 1200mm ²	1600 A
	Dry lightning impulse	550 kV
	Chopped lightning impulse	633 kV
Routine test	Dry power frequency	260 kV
Capacitance	Nominal capacitance	246 pF

GENERAL DATA, according to IEC 137		
Mass	Mass bushing	20 kg
Cantilever load	Cantilever test load, heavy load	3150 N
	Max cantilever operating load, bushing	1575 N
Temp class	Temperature class	CLASS 2
Mounting and service instructions		2750 515-138

ELECTRICAL DATA, according to ANSI C57.19.00		
Ratings	Insulation class	115 kV
	Rated max. line to ground voltage	88 kV
	Max current with Cu-conductor	2000 A
	Max current with stranded cable 1295 mm ²	1600 A

ABB Components Ludvika, Sweden
 GSA123-00/2000/0.3 LF135123-CB

No. \bigcirc Ur/Uy 170/170 kV Ir 2000 A 50/60 Hz \bigcirc
 LI / SI / AC 550/-/260 kV \bigcirc
 M 20 kg L 560 mm V 0-90
 C1 pF Tan δ x
 C2 pF Tan δ x

Production engineering review J BERNER	Approved H JOHANSSON	Reg. No. COM/BK 9905	Title OIL-OIL BUSHING GSA123-00/2000/0.3	Language 82
Inspection engineering review K-E ANDERSSON	Revision	Take over department		
Design engineering review F PETRICI	ABB ABB Components		Database BUSHINGS	Page 1(1)
			Document No. 2751365-CB	

We reserve all rights in this document and in the information contained therein. Reproduction, use or disclosure to third parties without express authority is strictly forbidden. ©ABB

